

Optimized crusher
productivity and
cost control

Magotteaux
recycling
impact crusher wear parts

A range of innovative solutions to optimize your production results

For your highest crushing challenges, we develop and deliver different solutions of blow bars, liners, impact plates and walls.

Magotteaux
recycling
blow bars
One

Magotteaux
recycling
blow bars
+

Magotteaux
recycling
impact plates

Magotteaux
recycling
hammers

Magotteaux
recycling
liners

The target is to combine the original equipment manufacturer's design with our solutions.

This approach aims to find the best compromise between a long lasting and resilient product while keeping the original profile of the part.



For your recycling operations

- Construction demolition waste (concrete/asphalt)
- Slag (steel, copper)
- Waste incineration
- Glass
- and many more





Your advantages



Increased lifetime - reduced wear costs

Magotteaux parts last far longer than the classical equivalent therefore reducing the rate of replacement.



Original profile maintained longer - increased crusher productivity

A sharp edge maintained longer means lower recirculating load and higher productivity.



Reduced maintenance

Since the lifetime of parts is significantly longer, the frequency of production shutdowns for maintenance is considerably reduced. That means important savings and less exposure to risks of accident during the replacement of the parts.



Constant quality

All our sites have the same certified production processes, wherever they are located. Therefore, we can guarantee the same high quality for all your deliveries.



Supply security

Thanks to our production network with multiple production sites and large stocks, we can ensure a rapid delivery with short lead-times.



Circular economy

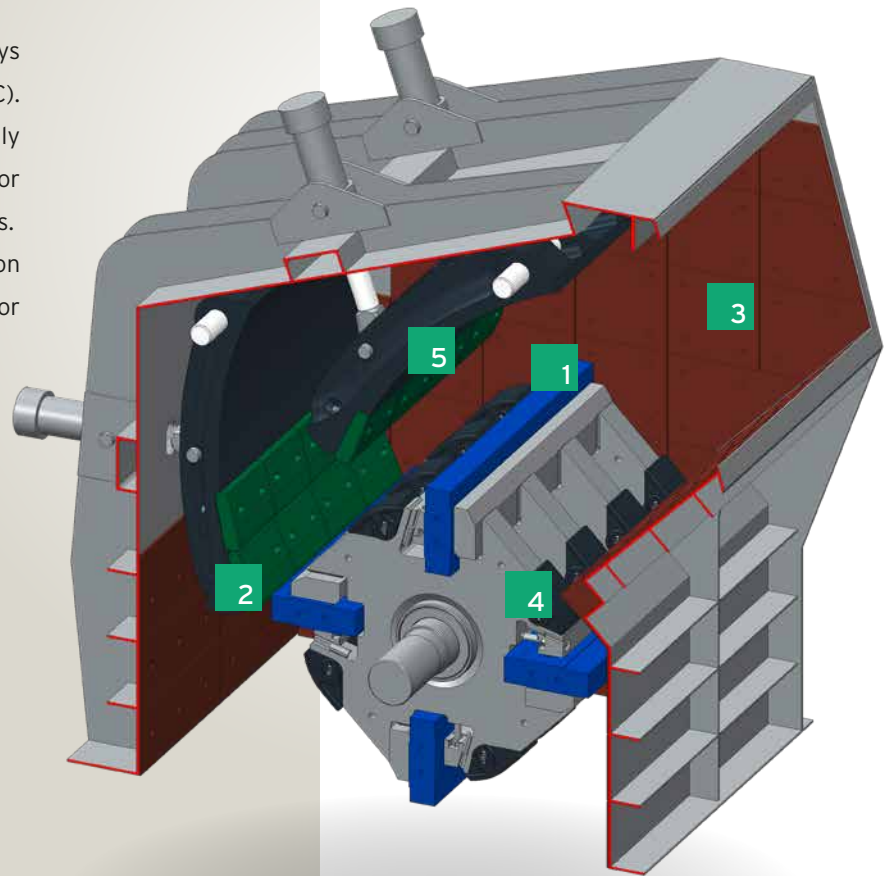
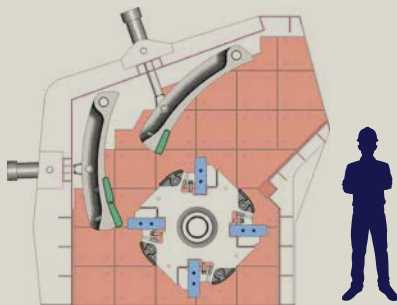
With our scrap buy-back program you improve your global footprint. We deliver new products and take care of recycling 100% of your used wear parts, from cradle to grave.

More than just blow bars

Magotteaux delivers the entire scope of products for your installation: impact plate, impact wall, liner, shoe cap.

Those products are available in several alloys especially in Metal Matrix Composite (MMC). Magotteaux has developed the MMC family of alloys which are particularly suited for high abrasion and high impact applications. Today our innovation teams keep on developing more innovative solutions for your business.

1. Blow bar
2. Impact plate
3. Liner
4. Shoe cap
5. Impact wall



Among our solutions for impact crushers, we can also supply a wide variety of hammers to successfully tackle the different levels of abrasion and/or impact encountered in your application.

We collaborate with you to find the optimal solution for your application. Our credo: we have a solution for each application!

Mag'Impact

"The" vertical shaft impactor crusher

In addition to the Horizontal Shaft Impactor (HSI) solutions, Magotteaux builds Europe's most efficient Vertical Shaft Impactor (VSI).

The Mag'Impact brings the following advantages to the recycling industry:

- **Material recovery** > The Mag'Impact greatly increases the value of recycled materials through separation of individual elements used in concrete and roadtop allowing their reuse in production of new concrete and roadtop.
- **Unrivalled versatility** > suitable for any kind of application
- **High quality finished products** > unequalled cubical shape
- **Highest safety** > thanks to various handling tools and sensors (oil temperature, vibration, etc.)
- **Quick and easy maintenance** > simplify maintenance and reduce downtime
- **Total return on investment** in less than one year!
- **Wear costs reduction** > thanks to Magotteaux wear resistant composite solutions

Check our website for more information on the Mag'Impact.



Our expertise at your service

- On-site sales & technical support
- On-site trials & testing, follow-up
- Know-how, expertise and continuous innovation
- After-sales service & optimization for Mag'Impact



Contact our account managers and experts to find out more about how we can support you to meet and surpass your goals.



Global coverage with local production

+ **100** years of innovation experience

22 production units across **12** countries

+**150** countries covered through
our sales network

+**1** million tons of products capacity

+**3000** employees around the world

Part of **Sigdo Koppers Group**,
listed in Santiago (Chile)



Process optimization services
and products for abrasive
and impact applications.

www.magotteaux.com
+32(0)43617617
info@magotteaux.com

©Magotteaux. June 2022.

Magotteaux, a global leader with more than 100 years of expertise standing by your side.

At Magotteaux, we know it's an increasingly challenging world and any difference we can make to reduce the overall running cost of your operations will have a positive impact on your bottom line. We are committed to make your business as successful as possible while contributing to lower your environmental footprint.

Magotteaux is much more than just a supplier! As a true innovator, we invest continuously in innovation and develop strong and close relationships to understand your challenges and define the best possible solution prior to engineering and delivering the promised quality. We use innovative and modern monitoring tools to prove our promise and optimize your operations.

We are born recyclers, as more than 80% of our raw materials come from recycled goods. We invest in energy efficiency and renewable energy along with an active strategy to reduce, reuse and recycle. Circular economy is important for us. With multiple production units around the world, we are uniquely placed to offer an attractive scrap buy-back program.

The information and data in this data sheet are accurate to the best of our knowledge. They are intended for general information only. Applications as suggested are described only to help readers make their own assessment. They are neither guarantees nor to be construed as express or implied warranties of suitability for these or other applications.